

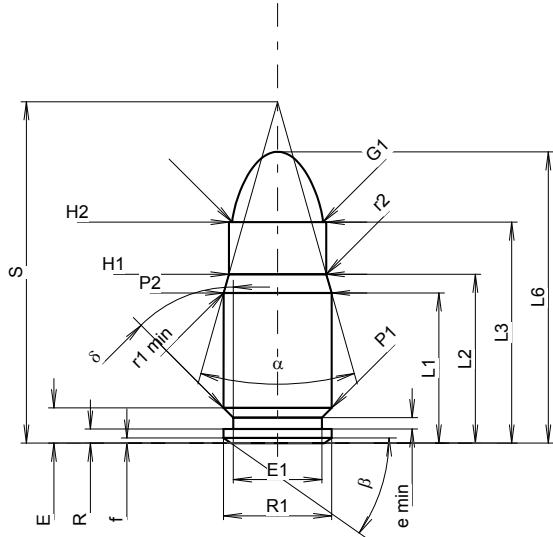
C.I.P.**9 x 22 MJR**

TAB. IV

Date 93-12-13

Country of Origin: AT

Revision 08-09-23

**CARTRIDGE MAXI****Lengths**

L1 ¹⁾ *	=	14.95	-0.20
L2 ¹⁾ *	=	16.81	-0.20
L3 ¹⁾	=	22.00	
L4	=		
L5	=		
L6	=	29.00	

Case Head

R	=	1.40	
R1	=	10.77	
R3	=		
E	=	3.52	
E1	=	8.81	
e min	=	1.14	
delta	=	45°	
f	=	0.51	
beta	=	35°	

Powder Chamber

P1	=	10.77	
P2 ¹⁾ *	=	10.74	-0.20

Junction Cone

alpha	=	31°31'27"	
S	=	33.98	
r1 min	=	0.50	
r2	=	0.50	

Collar

H1 *	=	9.69	
H2 ¹⁾	=	9.68	

Projectile

G1 ¹⁾	=	9.03	
G2	=		
F	=		
L3+G ¹⁾	=	28.10	

Pressures (Energies)**Method Transducer**

Pmax	=	2550 bar	
PK	=	2933 bar	
PE	=	3315 bar	
M	=	12.50	

Miscellaneous Dimensions

Fe ¹⁾³⁾	=	0.20	
delta L	=		

CHAMBER MINI**Lengths**

L1 *	=	14.92	
L2 *	=	16.70	
L3 ¹⁾	=	22.15	

Breech

R	=		
R1	=	10.88	
R2	=		
R3	=		
r	=		

Powder Chamber

E	=	3.52	
P1 ¹⁾	=	10.82	
P2 *	=	10.76	

Junction Cone

alpha ¹⁾	=	31°22'48"	
S	=	34.07	
r1 max	=		
r2	=		

Collar

H1 *	=	9.76	
H2 ¹⁾	=	9.75	

Commencement of Rifling

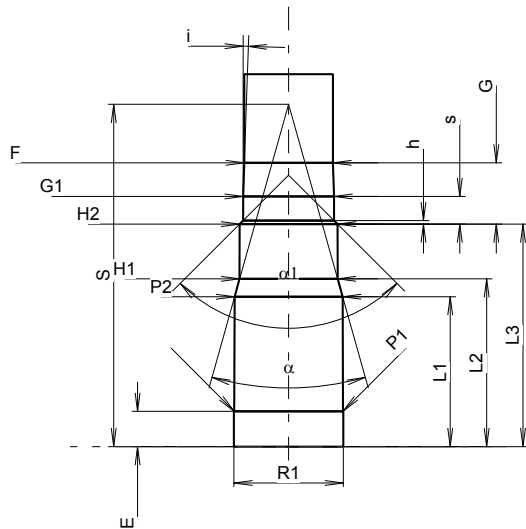
G1 ¹⁾ *	=	9.05	
G ¹⁾ *	=	6.10	
alpha l	=	90°	
h	=	0.35	
s *	=	2.75	
i ¹⁾	=	1°57'58"	
w	=		

Barrel

F ¹⁾ *	=	8.82	
Z ¹⁾	=	9.02	

Grooves

b	=	2.49	
N	=	6	
u	=	250.00	
Q	=	62.61	mm ²



Scale 1.33:1

Dimensions in << mm >>
Dimensions and Tolerances for Proof Barrels
see Appendix CR 1.

Notes: 1) Check for safety reasons
3) Headspace on Shoulder
* Basic dimensions